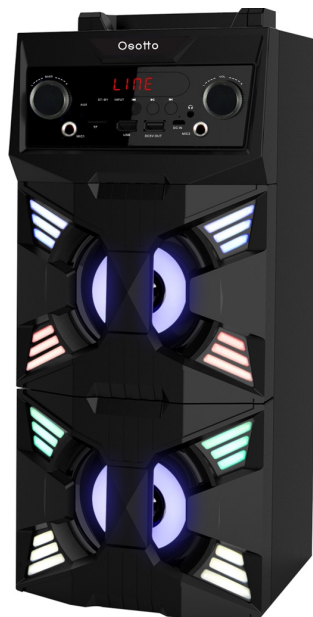


# Osotto

2.0 Channel Multimedia Bluetooth Portable Speaker System



Model PS-42

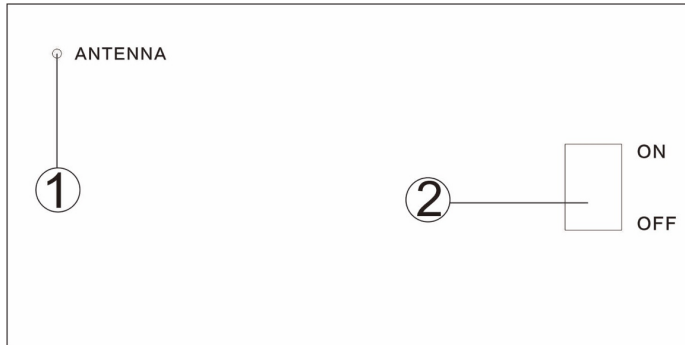


Thank you for purchasing this Osotto portable speaker system. We hope that you enjoy using the speaker, and that it gives you long and pleasurable service. In order to get the most from your purchase, please read this manual carefully and retain for future reference.



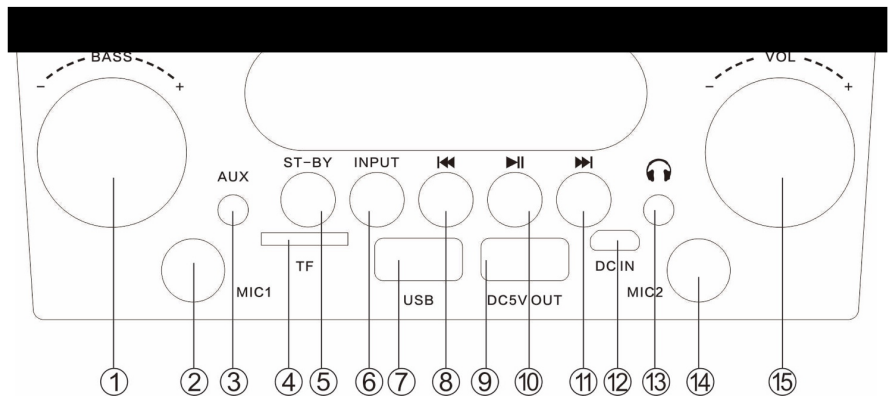
- STANDBY Stand-by button. Use to switch on and off.
- INPUT Select input audio sources
- MUTE Mute button
- PREV Previous song or FM program button
- PLAY/PAUSE Play, pause and light-mode button. When in FM mode, press to scan FM channels. Press for 3 seconds to change the flashing led light mode
- NEXT Next song or next FM program button
- VOL+ Volume increase
- VOL- Volume decrease
- MODE Selecting woofer, bass, treble, mic and echo switch
- 1-9/0/100+ Selecting music track or FM program

### Rear Panel



- 1.FM Antenna – Use an external antenna to improve FM reception
- 2.Power ON/OFF switch. Turn off to preserve battery life.





1. Bass increase or decrease
2. Microphone jack
3. Aux 3.5mm line in jack
4. TF card slot
5. Standby key
6. Audio input sources select key
7. USB card slot
8. Previous song or FM program, press 3 seconds to decrease volume
9. USB charging port
10. Play, Pause and light mode when in FM mode, press to scan FM programs. Press 3 seconds to change the flash led lighting mode.
11. Next song or FM program, press 3 seconds to increase volume
12. DC IN jack (5v)
13. Earphone jack.
14. Microphone jacks
15. Volume increase or decrease key

If the USB/SD doesn't work first time, please turn off the power and wait for one minute before switching the unit back on. The function will then work.

Page 3

Page 3

1. Built-in OCL amplifier, compatible with Computer, CD/VCD/DVD player, Walkman, or similar devices.
2. Magnetic shield design allows the speaker to be used with TV sets and computers.
3. Optimised sound system for a larger dynamic range in the low frequency, a smoother middle frequency and a pure and harmonious high frequency.

1. Please charge the battery fully before first use, using the supplied power adaptor.
2. Switch the unit on, and connect an audio source

3. Adjust the volume and sound settings to your preference
4. After use, turn off the power switch

1. Please turn the volume knob to the minimum position before connecting an audio source to prevent any damage to the speakers
2. Do not allow the unit to get wet, and avoid exposure to damp or humid environments
3. Do not open the back cover of the main speaker in case of electric shock or invalidating warranty
4. Please turn off the power switch and disconnect the charger if not used for prolonged periods

Speaker	1pc
Audio cable	1pc
Remote control	1pc
User manual	1pc
USB cable	1pc



End of life disposal - do not dispose in normal household waste. The unit contains a Lithium battery that should be removed before disposal by a competent person and disposed of in accordance with local regulations.



Please dispose of all packaging responsibly. The cardboard carton should be recycled. Inner packaging is widely recyclable – please check with your local provider.

Osotto Ltd  
5 High Street  
CF37 1QJ  
[www.osotto.co.uk](http://www.osotto.co.uk)

