

USER MANUAL



MH-6206B

Carefully read this user manual before use.
Keep this manual handy for further reference

THANK YOU

Thank you for purchasing this Osotto Hi Fi product. We trust that it will give you many years of reliable service. Please read this manual carefully to ensure safe and trouble-free operation. Please keep the manual safely for future reference.

UNPACKING



WARNING – DANGER OF SUFFOCATION
Keep plastic packaging away from babies and children

Please unpack the unit carefully, and ensure that you have everything listed in the Packing Contents below.

Speaker MH-6206B	X1
User Manual	X1
Remote Control	X1
Audio Cable	X1
Power Cable	X1
Wireless MIC	X1

DISPOSAL OF PACKAGING



Cardboard Box - Widely recyclable
Plastic wrapping – Widely recyclable
Polystyrene Inserts – Not recyclable

IMPORTANT SAFETY INFORMATION



- Only use the supplied power cable, or a cable fitted with a BS1363 standard plug.
- Do not use this equipment in wet or damp conditions
- When not in use, switch off and remove the plug from the mains outlet.

QUICK START GUIDE

1. After unpacking the unit, connect the power chord to a mains socket.
2. The unit may be used immediately in AC Power mode.
3. To use the unit on DC Power, please charge the battery fully by switching the Power Switch (2) to DC. The LED lamp (3) will glow blue when the battery is fully charged. This can take up to seven hours, depending upon the present charge state of the battery.

FUNCTION DESCRIPTION

• BATTERY AND POWER INPUT

1. A rechargeable battery is integrated into the speaker. Select DC on the power switch (2) to use the battery as the power source
2. Mains voltage is 110V-240V 50/60Hz for use on AC, and to charge the battery.
3. LED light (3) will glow RED during charging.
4. LED light (3) will glow BLUE when charging is finished.
5. Full recharge takes about 7-9 hours.
6. Full battery life is approximately 3 hours at high volume.
7. To protect the life of the built in battery, be sure to fully charge your unit on the same day the battery runs out. Not charging your unit right away can reduce the life time of the battery.
8. Connect the speaker to the mains using the supplied power cable. Use switch (2) to change power to AC to use mains power.
9. Switch power to OFF to turn off the speaker.

• MODE CONTROL (USB/SD/FM)

1. Switch power ON, insert USB into USB slot, and the unit will automatically change to USB mode.
2. Switch power ON, insert SD card into SD slot to automatically change to SD mode.
3. Press ◀◀ or ▶▶ to select previous or next track, press ▶|| to play or pause.
4. Switch power ON, press "MODE" to change to FM mode.
5. Press ▶|| to automatically scan FM channel.
6. Press ◀◀ or ▶▶ to select previous or next channel.

• WIRELESS CONNECTION

1. Press the "MODE" button to display "blue" on the screen to start the wireless connection.
2. The speaker is ready for pairing with a mobile device.
3. Scan the speaker's name "MH-6206B" to pair
4. After paired, the volume and tracks could be controlled by both the speaker control panel and the paired mobile device.

• AUDIO INPUT

1. Disconnect USB and SD, Press the "MODE" button to show "LINE".
2. Insert the audio cable (3.5MM) into AUX IN .

• GUITAR CONNECTION

1. Insert the guitar plug into guitar jack.
2. Use the "GUITAR VOL" knob to control the volume level of the Guitar.

FUNCTION DESCRIPTION

• MICROPHONE CONNECTION

1. Insert the microphone plug into the input MIC.
2. Put batteries into the wireless MIC, switch ON, and the wireless MIC will connect.
3. Working distance is about 10m. The frequency of wireless MIC is 210.3MHz.
4. Use the "MIC VOL" knob to control the voice level of the microphone.
5. Use the "MIC ECHO" knob to control microphone echo.
6. Press the "MIC. PRIORITY" button to prioritize the microphone.

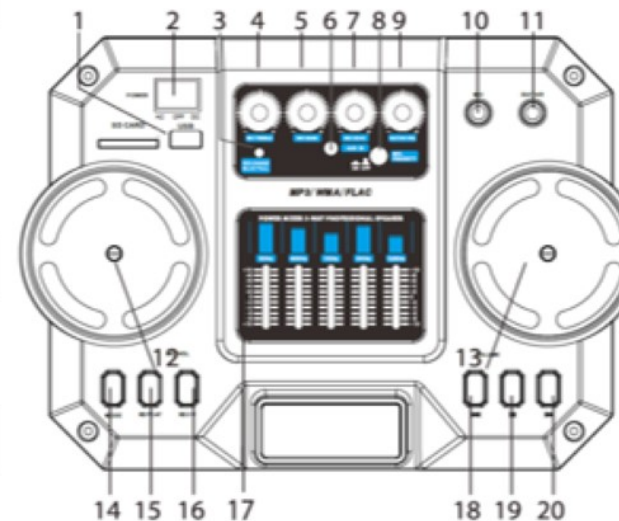
• EQUALIZER

1. "BASS" & "TREBLE" on unit control panel can adjust sound in SD or USB mode.
2. "EQ" button on remote control can be used to adjust sound effect.
3. Sound effect can be adjusted using the 5-way equalizer (17)

• RECORD FUNCTION

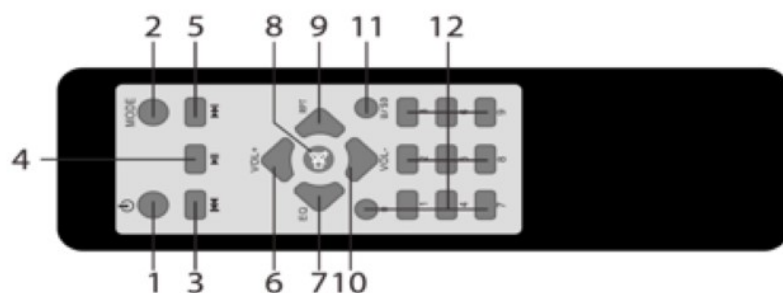
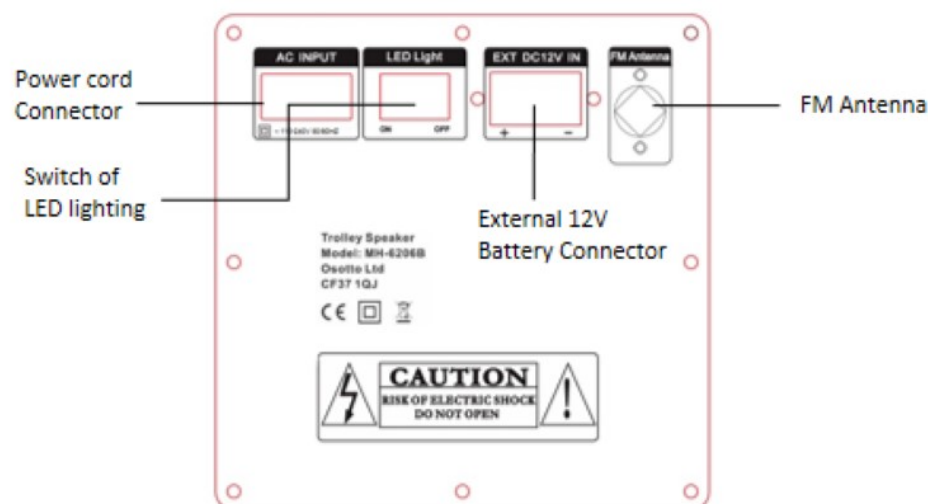
1. Insert the USB/SD to stock the recording file.
2. Connect the wireless MIC or wired MIC, or/and external device via AUX cable for recording resource.
3. Long press "REC" button to start recording.
4. Short press "REC" to stop recording and play the recorded voice.

PANEL FUNCTION



1. USB/SD Card jack
2. Power off / AC / DC Switch
3. Charging indicator
4. MIC Treble Adjustor
5. MIC Bass Adjustor
6. AUX IN
7. MIC Echo Adjustor
8. MIC Priority
9. GUITAR Volume Adjustor
10. MIC jack
11. GUITAR jack
12. MIC Volume Adjustor
13. Main Volume Adjustor
14. USB/SD player control input mode key
15. USB/SD player control repeat key
16. RECORD
17. EQ control
18. USB/SD player control prev key
19. USB/SD play/pause control key
20. USB/SD player control next key

PANEL FUNCTION



1. Power
2. Control input MODE key
3. Control prev key
4. Play/pause control key
5. Control next key
6. Volume+ Adjustor

7. EQ control key
8. MUTE
9. Control repeat key
10. Volume- Adjustor
11. USB/SD transform
12. 0-9 control key

BATTERY REMOVAL

This unit contains a Lead Acid battery, which must be removed by a technically competent person prior to disposal. Always dispose at a battery recycling centre.

1. Remove the grille from the bottom speaker, and remove the speaker unit after removing the screws that secure it.
2. The battery can be disconnected and removed after unfastening from the base of the cabinet.

DISPOSAL INSTRUCTIONS



Remove battery prior to disposal.

Battery should be taken to a battery recycling centre for disposal

Dispose of main unit at an appropriate WEEE centre. Your Local Authority will be able to tell you where you can find a location.

TECHNICAL SPECIFICATION

Power:	80W
Driver Unit:	12"x2+1"x2
Frequency Response:	40Hz-20kHz
S/N Ratio:	76dB±3dB
Output Impedance:	4ohm
Input Voltage:	AC 110-240V 50/60Hz
Lead Acid Battery	12V 7Ah

EU DECLARATION OF CONFORMITY

E.U. Declaration of Conformity

1. This Declaration relates to Osotto Trolley Speakers:

Model Number MH6206B
Model Number MH6224B

2. This items have been manufactured in China and imported into the United Kingdom by Osotto Ltd, 5 High Street, CF37 1QJ. www.osotto.co.uk

3. This Declaration of Conformity is issued under the sole responsibility of the manufacturer.

4. The Object of this Declaration of Conformity is to provide traceability, and identification of the product described.

5. The object of the declaration is in compliance with relevant Community harmonisation legislation:

- Low Voltage Directive (2014/35/EU)
- Electromagnetic Compatibility Directive (2014/30/EU)
- Radio Equipment Directive (RED) (2014/53/EU)
- RoHS Compliance

6. The following relevant standards were used:

- EN60065 (2014)
- ETSI EN 301 489-1 V1.9.2 (2011/09)
- ETSI EN 301 489-17 V 2.2.1 (2012/09)
- ETSI EN 300 328 V1.9.1 (2015.02)
- IEC 62321-1 (2013)

7. The notified body, Shenzhen BKC Testing Co. Ltd, has tested a production sample of product and issued certificate numbers BKC-170502119C and BKC-170502120C

Signed for and on behalf of Osotto Ltd:

Technical Director
Osotto Ltd
CF37 1QJ



Osotto Ltd

5 High Street
CF37 1QJ

www.osotto.co.uk



Made in China